

The pre-assembled middle and final clamps for free-fields Solar-Field system



Free field



Detail: PV modules fastening

VERSIONS

- Clamps SF-PMC and SF-PMF in aluminium alloy AW6060 T66 according to UNI EN 755-2:2013
- Hexagon socket cylindrical head screw in stainless steel A2-70 according to EN ISO 3506-1:2010
- Channel nut in stainless steel A2-70 according to UNI EN ISO 3506-1:2010

ADVANTAGES

- Full range: the pre-assembled clamps SF-PM can fasten all PV modules with thickness in range 31 ÷ 50 mm.
- Fast: through the smart channel nut the pre-assembled clamps SF-PM can be hooked and quick blocked in any point of the profile.
- Easy: through its plastic washer the pre-assembled clamps SF-PM stay up during the fastening operation.
- Complete: the pre-assembled clamps SF-PM do not need any further accessory (e.g. screws, washer, nuts).

APPLICATIONS

Suitable for:

- Free-field Solar-Field system

To fasten PV modules on the profiles:

- Solar-field

Anti-theft bronze ball DAE can be used

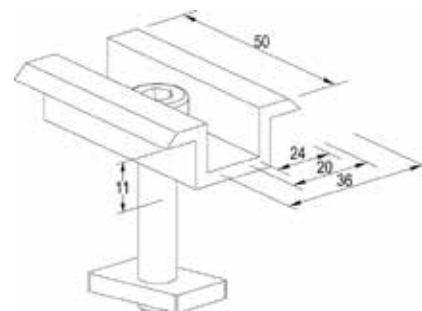
FUNCTIONING

- Put the channel nut of the pre-assembled clamps SF-PM into the profile upper channel.
- Rotate the pre-assembled clamps SF-PM clockwise by 90 degrees.
- Fasten the PV module applying the correct installation torque (10 Nm) on the hexagon socket cylindrical head screw.
- (Optional) To protect the installation put the anti-theft bronze ball DAE into the screw hexagon socket.

TECHNICAL DATA



Pre-assembled middle clamp **SF-PMC**



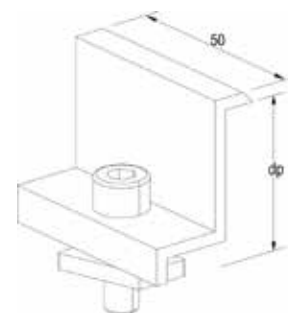
| | Aluminium alloy | Weight | PV modules thickness | Thread | Screw length | Installation torque | Hexagon socket | Sales unit | | GTIN (EAN code) |
|---------------------|-----------------------------|--------|----------------------|--------|--------------|------------------------|----------------|------------|--|-----------------|
| | Art.-No. | W [gr] | dp [mm] | M | l [mm] | T _{inst} [Nm] | ○ SW | [pcs] | | |
| Item | AL | | | | | | | | | |
| SF-PMC 31-33 | 531074 ¹⁾ | 78 | 31 ÷ 33 | M 8 | 35 | 10 | 6 | 50 | | 8001132039991 |
| SF-PMC 34-38 | 531075 ¹⁾ | 78 | 34 ÷ 38 | M 8 | 40 | 10 | 6 | 50 | | 8001132040010 |
| SF-PMC 40-43 | 531076 ¹⁾ | 78 | 40 ÷ 43 | M 8 | 45 | 10 | 6 | 50 | | 8001132040058 |
| SF-PMC 45-46 | 531077 ¹⁾ | 78 | 45 ÷ 46 | M 8 | 50 | 10 | 6 | 50 | | 8001132040089 |
| SF-PMC 47-50 | 531078 ¹⁾ | 78 | 47 ÷ 50 | M 8 | 55 | 10 | 6 | 50 | | 8001132040119 |

1) Morsetto utilizzabile solo con profilo Solar-field

TECHNICAL DATA



Pre-assembled final clamp **SF-PMF**



| | Aluminium alloy | Weight | PV modules thickness | Thread | Screw length | Installation torque | Hexagon socket | Sales unit | | GTIN (EAN code) |
|------------------|-----------------------------|--------|----------------------|--------|--------------|------------------------|----------------|------------|--|-----------------|
| | Art.-No. | W [gr] | dp [mm] | M | l [mm] | T _{inst} [Nm] | ○ SW | [pcs] | | |
| Item | AL | | | | | | | | | |
| SF-PMF 31 | 531079 ¹⁾ | 78 | 31 | M 8 | 30 | 10 | 6 | 20 | | 8001132040126 |
| SF-PMF 34 | 531080 ¹⁾ | 78 | 34 | M 8 | 30 | 10 | 6 | 20 | | 8001132040164 |
| SF-PMF 35 | 531081 ¹⁾ | 78 | 35 | M 8 | 35 | 10 | 6 | 20 | | 8001132040171 |
| SF-PMF 36 | 531082 ¹⁾ | 78 | 36 | M 8 | 36 | 10 | 6 | 20 | | 8001132040188 |
| SF-PMF 38 | 531083 ¹⁾ | 78 | 38 | M 8 | 35 | 10 | 6 | 20 | | 8001132040218 |
| SF-PMF 40 | 531084 ¹⁾ | 78 | 40 | M 8 | 40 | 10 | 6 | 20 | | 8001132040249 |
| SF-PMF 42 | 531085 ¹⁾ | 78 | 42 | M 8 | 40 | 10 | 6 | 20 | | 8001132040256 |
| SF-PMF 43 | 531086 ¹⁾ | 78 | 43 | M 8 | 45 | 10 | 6 | 20 | | 8001132040263 |
| SF-PMF 45 | 531087 ¹⁾ | 78 | 45 | M 8 | 45 | 10 | 6 | 20 | | 8001132040270 |
| SF-PMF 46 | 531088 ¹⁾ | 78 | 46 | M 8 | 45 | 10 | 6 | 20 | | 8001132040287 |
| SF-PMF 50 | 531089 ¹⁾ | 78 | 50 | M 8 | 50 | 10 | 6 | 20 | | 8001132040294 |

1) Morsetto utilizzabile solo con profilo Solar-field

ACCESSORIES



Anti-theft bronze ball **DAE**

| | | Diameter | Sales unit | GTIN (EAN code) |
|------------|---------------|----------|------------|-----------------|
| Item | Art.-No. | ∅ [mm] | [pcs] | |
| DAE | 071587 | 6 | 100 | 8001132715871 |