

The efficient aluminium vertical mullion 50 x 50 mm for photovoltaic curtain façades



Substructure mullions and transoms



Detail: vertical profile VP 50 connection

VERSIONS

- aluminium alloy AW 6060 T66 according EN 755-2:2013

ADVANTAGES

- Handy: the vertical profile VP 50 is easy to work (cut and drill) on site.
- Double face: the vertical profile VP 50 can be used on both front and rear faces.
- Adjustable fixing: using the vertical profile VP 50 front face (with channel), the channel nut FCN and screw SKS M 8 is possible to carry out an adjustable fixing.
- Heavy-duty fixing: using the vertical profile VP 50 on the rear face (blind side) and with rivets it is possible for high load-bearing capacity fixing.

APPLICATIONS

Suitable for:

Powerskin system with:

- Fixing point holder FPH
- Sliding point holder SPH

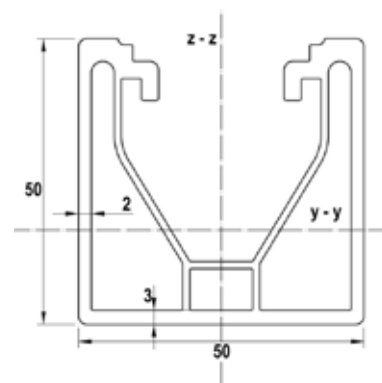
FUNCTIONING

- Use the wall brackets FPH and SPH for fixing the vertical profile VP 50, depending on the cavity required.
- Place the vertical profile VP 50 between the wall brackets FPH and SPH cantilevers.
- Use wall brackets FPH and SPH as a drill template and drill the vertical profile VP 50 (FPH - 5+5 drills holes, SPH - 1+1 drill holes) with a Ø5 mm drill bit.
- Fasten the vertical profile VP 50 to the wall brackets FPH and SPH with rivets 4,8 x 10 A2.
- Put the insulation panels behind the vertical profile VP 50.

TECHNICAL DATA



Vertical profile **VP 50 AL**



Item	Art.-No.	Weight W [kg/m]	Profile length l [mm]	Profile cross section S [mm ²]	Moment of inertia y-axis I _y [cm ⁴]	Moment of inertia z-axis I _z [cm ⁴]	Section modulus y-axis W _y [cm ³]	Section modulus z-axis W _z [cm ³]	Sales unit [pcs]	GTIN (EAN code)
VP 50 AL	511164	1,58	6600	584,73	17,92	20,24	6,86	8,09	1	4048962107074