

The not assembled aluminium clamp for the no profiles and drilling system Solar-Wind



Installation with Solar-Wind system SW-S



Installation with Solar-Wind system SW-EW

VERSIONS

- clamps SW -M C and SW- M F in aluminium alloy AW 6060 T66 according to EN 755-2:2013

ADVANTAGES

- Full range: the not assembled clamps SW-MC and SW-M F can fasten all PV modules with thickness in range 35 ÷ 50 mm.

APPLICATIONS

Suitable for:

Solar-Wind System

To fasten PV modules on bracket:

- Front brackets SW BF 10° and SW-S BF 15°
- Middle brackets SW-S BM 10° and SW-S BM 15°
- End brackets SW-S BE 10° and SW-S BE 15°
- Low middle bracket SW-EW BML 10°
- High middle bracket SW-EW BMH 10°

Anti-theft bronze ball DAE can be used

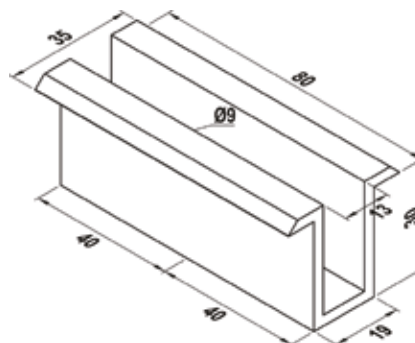
FUNCTIONING

- Use the PV modules thickness to choose the right clamp.
- Assembly the SW-MC and SW-M F clamps using the hexagon socket cylindrical head screw SW M 8 x..
- Fasten the PV module tightening the hexagon socket cylindrical head screw SW M 8 x.., applying the right installation torque (10 Nm).
- (Optional) To protect the installation put the anti-theft bronze DAE ball into the screw hexagon socket.

TECHNICAL DATA



Not assembled middle clamp SW-MC

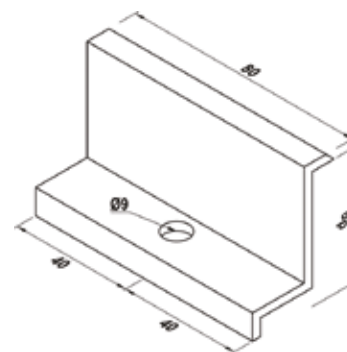


| Item | Art. n° | Weight W [gr] | PV modules thickness d _p [mm] | To use with screw | Installation torque T _{inst} [Nm] | Sales unit [pcs] | GTIN (EAN code) |
|-------|---------|------------------|---|--------------------------|---|---------------------|-----------------|
| SW-MC | 524190 | 36 | 31 ÷ 50 | SW - M 8 x 40 / 45 mm A2 | 10 | 10 | 8001132036181 |

TECHNICAL DATA



Not assembled final clamp **SW-M F**



| Item | Art. n° | Weight W [gr] | PV modules thickness d _p [mm] | To use with screw | Installation torque T _{inst} [Nm] | Sales unit [pcs] | GTIN (EAN code) |
|-----------|---------|---------------------|---|---------------------|---|---------------------|-----------------|
| SW-M F 31 | 534560 | 38 | 31 | SW - M 8 x 25 mm A2 | 10 | 20 | 8001132051597 |
| SW-M F 33 | 534479 | 38 | 33 | SW - M 8 x 25 mm A2 | 10 | 20 | 8001132051252 |
| SW-M F 35 | 524191 | 38 | 35 | SW - M 8 x 25 mm A2 | 10 | 20 | 8001132036198 |
| SW-M F 36 | 524192 | 38 | 36 | SW - M 8 x 25 mm A2 | 10 | 20 | 8001132036228 |
| SW-M F 38 | 524193 | 38 | 38 | SW - M 8 x 25 mm A2 | 10 | 20 | 8001132036235 |
| SW-M F 40 | 524194 | 38 | 40 | SW - M 8 x 25 mm A2 | 10 | 20 | 8001132036242 |
| SW-M F 42 | 524195 | 38 | 42 | SW - M 8 x 25 mm A2 | 10 | 20 | 8001132036259 |
| SW-M F 43 | 524196 | 38 | 43 | SW - M 8 x 25 mm A2 | 10 | 20 | 8001132036266 |
| SW-M F 45 | 524197 | 38 | 45 | SW - M 8 x 25 mm A2 | 10 | 20 | 8001132036273 |
| SW-M F 46 | 524198 | 38 | 46 | SW - M 8 x 25 mm A2 | 10 | 20 | 8001132036280 |
| SW-M F 50 | 524199 | 38 | 50 | SW - M 8 x 25 mm A2 | 10 | 20 | 8001132036297 |

ACCESSORIES



Hexagon socket cylindrical head screw **SW M 8 x ..**

| Item | Art.-No. | Art.-No. | Thread | Screw length | Hexagon socket | Sales unit | GTIN (EAN code) |
|-------------------|----------|-----------|--------|--------------|----------------|------------|-----------------|
| | | ∅ [mm] | M | l [mm] | ○ SW | [pcs] | |
| SW M 8 x 45 mm A2 | 536418 | M 8 | 45 | 10 | 6 | 100 | 8001132055847 |
| SW M 8 x 40 mm A2 | 524200 | M 8 | 40 | 10 | 6 | 100 | 8001132036334 |
| SW M 8 x 35 mm A2 | 536417 | M 8 | 35 | 10 | 6 | 100 | 8001132055830 |
| SW M 8 x 30 mm A2 | 536416 | M 8 | 30 | 10 | 6 | 100 | 8001132055823 |
| SW M 8 x 25 mm A2 | 524201 | M 8 | 25 | 10 | 6 | 100 | 8001132036365 |

ACCESSORIES



Anti-theft bronze ball **DAE**

| Item | Art.-No. | Art.-No. | Sales unit | GTIN (EAN code) |
|------|----------|-----------|------------|-----------------|
| | | ∅ [mm] | [pcs] | |
| DAE | 071587 | 6 | 100 | 8001132715871 |