

## The lightest 10° aerodynamic system for maximum installed power on flat roof without drilling for East - West installation



Solar-Wind System East-West



Solar-Wind System East-West

### VERSIONS

- brackets in aluminium AW 6060 T66/T5 according to EN 755-2:2013
- bolts and nuts in stainless steel A2-70 according to EN ISO 3506-1/2:2009

### ADVANTAGES

- No drilling: Solar-Wind East-West System does not need to drill the roof. The system is blocked using small concrete ballasts.
- Quick: the installation time is about 10 minutes per kWp.
- Light: the reduced panel tilt (10°) and the geometrical arrangement reduce the effect of wind load and therefore reduce the number of required concrete ballasts.
- Complete range: the system is available for a wide range of panels (width 950÷1020 mm x height 1630÷1675 mm).
- Easy: the system is modular, thus allowing a photovoltaic panels layout extremely flexible.
- Safe: the special central clamp allows to the photovoltaic installation to be grounded.
- Designable: the required number of ballasts is calculable depending on wind load for installation site, according National Regulations.

### APPLICATIONS

#### Suitable for:

**Solar-Wind System** (flat roof without drilling)

#### Allowable configurations:

- 1 module - landscape disposition

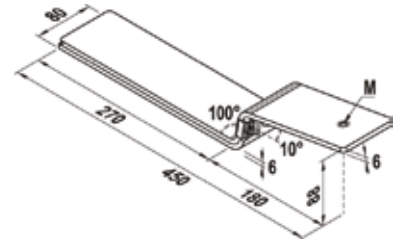
### FUNCTIONING

- Adjust the PV installation layout depending on roof edge distances and roof obstacles.
- Calculate the correct number of ballast SW BALLAST for each element (brackets or ballast trays) depending on snow and wind loads for installation site, according National Regulations.
- Place the front brackets SW BF and the middle brackets SW-S B.. on the roof, as shown in the project.
- Put the photovoltaic modules on the brackets and fasten them using clamps SW-MC and SW-MF.
- Place the concrete ballasts SW BALLAST as shown in the project. Protect the roof setting the protective pad SW PAD under the ballasts.
- For snow load higher than 2,40 kN/m<sup>2</sup> use front bracket SW BF 10° and middle brackets (high and low) SW-EW BM.. 10°.

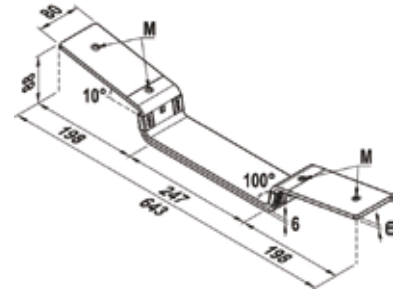
## TECHNICAL DATA



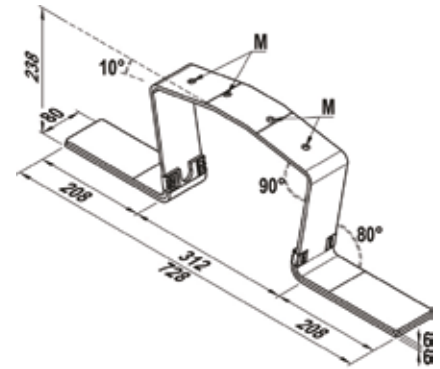
Front bracket Solar-Wind 10°  
**SW BF 10°**



Low middle bracket Solar-Wind  
East - West 10° **SW-EW BML 10°**



High middle bracket Solar-Wind  
East - West 10° **SW-EW BMH 10°**



Item	Art.-No.	Weight	Thickness	Thread	Fits	Sales unit	GTIN (EAN code)
		W [kg]	s [mm]	M		[pz]	
<b>SW BF 10°</b>	<b>524183</b>	0,82	6	M 8	Solar Wind East - West	1	8001132036112
<b>SW-EW BML 10°</b>	<b>524184</b> <sup>1)</sup>	0,82	6	M 8	Solar Wind East - West	1	8001132036129
<b>SW-EW BMH 10°</b>	<b>524185</b> <sup>1)</sup>	1,10	6	M 8	Solar Wind East - West	1	8001132036136
<b>SW-S BF 10° SNOW</b>	<b>536410</b> <sup>2)</sup>	0,50	6	M 8	Solar Wind East - West	1	8001132055762

1) Use also for snow load  $\geq 2,40 \text{ kN/m}^2$ . Place the bracket on the middle of PV panel frame and fix it with final clamp SW-MF and screw SW M 8 x 25.

2) Use for snow load  $\geq 2,40 \text{ kN/m}^2$ . Place the bracket on the middle of PV panel frame and fix it with final clamp SW-MF and screw SW M 8 x 25.

## TECHNICAL DATA



Concrete ballast **SW BALLAST**



Protection pad **SW PAD**

Item	Art.-No.	Weight	Width	Length	height	Sales unit	GTIN (EAN code)
		g [kg]	b [mm]	l [mm]	h [mm]	[pcs]	
<b>SW BALLAST</b>	<b>524188</b>	9	200	400	50	1	8001132036174
<b>SW PAD</b>	<b>524202</b>	-	50	150	11	1	8001132036372

## ACCESSORIES



Ballast tray **SW BT**

Item	Art.-No.	Weight W [kg]	Width b [mm]	Length l [mm]	Sales unit [pz]	GTIN (EAN code)
<b>SW BT</b>	<b>536404</b>	1,49	237	835	1	8001132055748

## ACCESSORIES



Cylindrical head screw **SW M 8 x ..** Flathead screw **SW M 8 x ..** Washer **SW WASHER** Cylindrical nut **M 8** Cap nut **M 8**

Item	Art.-No.	Thread M	Length l [mm]	Installation torque T <sub>inst</sub> [Nm]	Width across the nut (hexa- gon socket) ○ SW	Washer (exter- nal diameter x thickness)	Sales unit [pcs]	GTIN (EAN code)
<b>SW M 8 x 25 mm A2</b>	<b>524201</b>	M 8	25	10	6		100	8001132036365
<b>SW M 8 x 30 mm A2</b>	<b>536416</b>	M 8	30	10	6		100	8001132055823
<b>SW M 8 x 35 mm A2</b>	<b>536417</b>	M 8	35	10	6		100	8001132055830
<b>SW M 8 x 40 mm A2</b>	<b>524200</b>	M 8	40	10	6		100	8001132036334
<b>SW M 8 x 45 mm A2</b>	<b>536418</b>	M 8	45	10	6		100	8001132055847
<b>SW M 8 x 16 mm A2 flathead</b>	<b>536414</b>	M 8	16	10	6		100	8001132055809
<b>SW M 8 x 20 mm A2 flathead</b>	<b>536415</b>	M 8	20	10	6		100	8001132055816
<b>SW WASHER</b>	<b>524205</b>	-	-	-	-	16 x 1,6	100	8001132036488
<b>SW Cylindrical nut M 8 A2</b>	<b>536413</b>	M 8	-	-	-	-	100	8001132055793
<b>SW Cap nut M 8 A2</b>	<b>536412</b>	M 8	-	-	-	-	100	8001132055786

## ACCESSORIES



Clip locks Carter **SW Clip**

Cable tie **SW CABLE TIE**

Item	Art.-No.	Sales unit [pcs]	GTIN (EAN code)
<b>SW CLIP</b>	<b>524203</b>	100	8001132036389
<b>SW CABLE TIE</b>	<b>524204</b>	100	8001132036426