

Flat plate connection between double-threaded screws STSR or STSI and Solar profiles



Corrugated roof



Detail: flat bracket SSP

VERSIONS

- plates in stainless steel X5CrNi 18-10 (A2) according to EN 10088-2:2014
- joint brackets XC in aluminium alloy AW 6063 T6 according to EN 755-2:2013
- bolts and nuts in stainless steel A2-70 according to EN ISO 3506-1/2:2009

ADVANTAGES

- Adjustable: the slotted hole allows adjustment during installation.
- Complete: the joint plate SSP SPEED is pre-assembled and does not need any further accessory (e.g. screws, washers, nuts).
- Easy: the cross connector XC on the pre-assembled joint plate SSP SPEED helps profile pre-positioning.
- Fast: Solar profile is quickly installed by tightening only 1 screw.
- Safe fixing: the cross connector XC has a large contact surface area that increases the connection load-bearing capacity.

APPLICATIONS

- Suitable for:**
- Corrugated roof System
 - Special application System
- For the connection with:**
- Profile Solar-fish
 - Profile Solar-mid

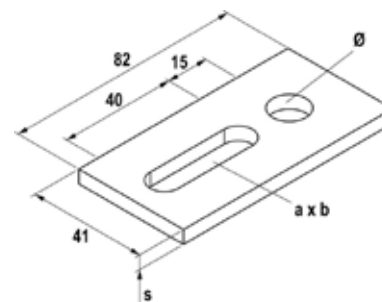
FUNCTIONING

- Stud screws STSR or STSI connection:**
- Put the joint bracket SSP between the stud screw STSR/STSI 2 nuts and tighten them.
 - Connect Solar profile to the joint bracket SSP through the slotted hole using screw SKS M 8 and flanged hex nut MU F M 8.
 - Using the stud screw STSR/STSI 2 nuts for adjusting joint bracket SSP position.

TECHNICAL DATA



Joint plate **SSP A2**

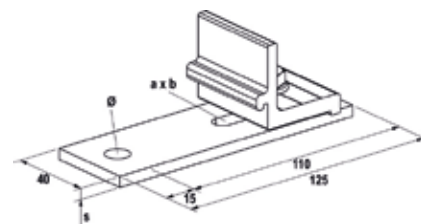


Item	Art.-No.	Weight W [g]	Thickness s [mm]	Hole diameter Ø [mm]	Dimension a x b [mm]	Fits	Sales unit [pcs]	GTIN (EAN code)
SSP 10 A2	071205	55	5	11	11 x 40	STSR M 10, STSI M 10	25	8001132712054
SSP 12 A2	071206	55	5	13	11 x 40	STSR M 12	25	8001132712061

TECHNICAL DATA



Pre-assembled joint plate **SSP SPEED A2**



Item	Art.-No.	Weight W [g]	Thickness s [mm]	Hole diameter Ø [mm]	Dimension a x b [mm]	Fits	Sales unit [pcs]	GTIN (EAN code)
SSP 10 SPEED	522672	95	5	11	9 x 50	STSR M 10, STSI M 10	10	8001132031698
SSP 12 SPEED	522673	95	5	13	9 x 50	STSR M 12	10	8001132031735

ACCESSORIES



Hex head screw **SKS A2**



Hammer head screw **RHS A2**



Flanged hex nut **MU F A2**

Item	Art.-No.	Thread M	Screw length l [mm]	hexagon nut Ø SW	Sales unit [pcs]	GTIN (EAN code)
SKS M 8 x 20 mm A2	505614	M 8	20	13	100	4006209651797
SKS M 8 x 50 mm A2	571208	M 8	50	13	100	8001132712085
RHS M 8 x 20 mm A2	071207	M 8	20	13	50	8001132712078
MU F M 8 A2	571210	M 8	-	13	100	8001132712108

ACCESSORIES



Channel nut **FCN AL**

Item	Art.-No.	Weight W [g]	Thread M	Sales unit [pcs]	GTIN (EAN code)
FCN AL M8	571165	10	M8	50	8001132711651