

The hdg solution for free-fields system with 2 modules in portrait disposition



Side view of SPS system



Frontal view of SPS system

VERSIONS

- S235JR steel according to EN 10025-2:2004, hdg ($\geq 80 \mu\text{m}$) according to EN ISO 1461:2009
- bolts and nuts in stainless steel A2-70 according to EN ISO 3506-1/2:2009

ADVANTAGES

- Universal: the single pole system allows to realize photovoltaic layout 2 x 10 panels with portrait disposition and 3 defined slope (20°, 25° and 30°).
- Easy and fast: pre-drilled piles, profiles and brackets to make easier and faster all the installation steps.
- Maximum allowable spacing 2800 mm, depending on snow and wind loads calculated according current National Regulations.

APPLICATIONS

Suitable for:

Solar-Field single pole system with:

- SPS-HP profile
- SPS-PM clamps

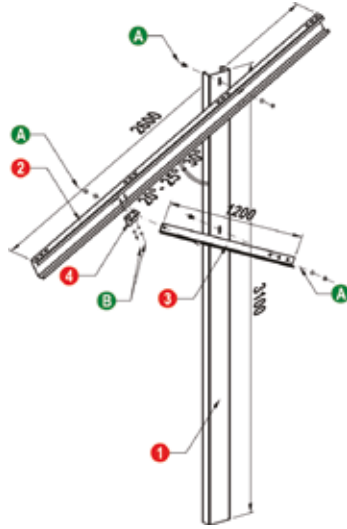
Allowable configurations:

- 2 modules - portrait disposition

FUNCTIONING

- Define SPS structure spacing depending on snow and wind load for the effective installation area, according National Regulations.
- Drive the single pole SPS-SP to the required depth according to geotechnical soil test report.
- Fasten the SPS-IB inclined profile on the upper side of the single pole SPS-SP using M 16 screws.
- Fix the SPS-CONN bracket on the lower side of the inclined profile SPS-IB using 2 M 10 bolts.
- Join the side bracing SPS-BR to the vertical pole SPS-SP and the SPS CONN bracket with 1 + 1 M 16 bolts.
- ⚠ Minimum thread length of M 16 screw is 35 mm, M 10 bolt is 30 mm.

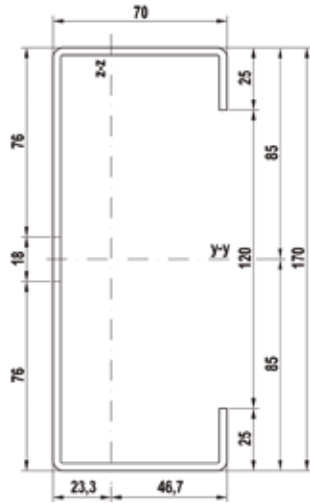
TECHNICAL DATA



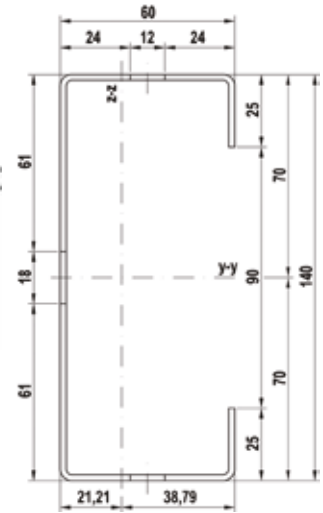
Legend:

- 1. Single pole **SPS-SP**
- 2. Inclined profile **SPS-IB**
- 3. Bracing **SPS-BR**
- 4. Connection bracket **SPS-CON**

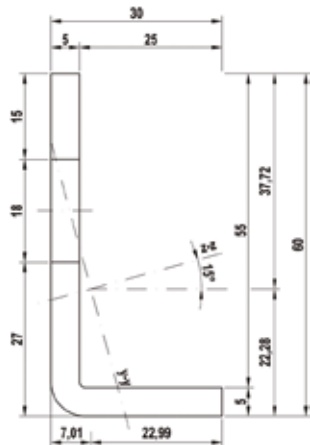
- A. SKS M 16 + U M 16 + MU M 16
- B. SKS M 10 + U M 10 + MU M 10



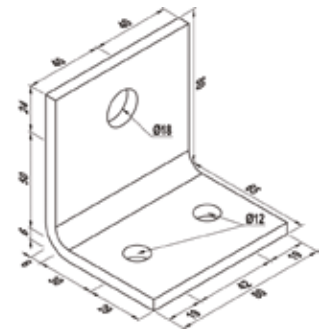
Back profile **SPS-SP**



Inclined profile **SPS-IB**



Bracing **SPS-BR**



Connection bracket **SPS-CONN**

Item	Art.-No.	Weight	Profile length	Profile cross section S [mm ²]	Moment of inertia y-axis I _y [cm ⁴]	Section modulus y-axis W _y [cm ³]	Sales unit [pcs]	GTIN (EAN code)
		W [kg/m]	l [m]					
SPS-SP 3,10 mt	534353 1)	25,10	3,10	1031,1	461,07	71,61	1	8001132049204
SPS-IB 2,60 mt	534354 1)	12,0	2,60	597,1	182,65	32,66	1	8001132049235
SPS-BR 1,20 mt	534355 1)	4,00	1,20	417,5	16,39	-	1	8001132049273
SPS-CONN	531073 1)	0,50	-	-	-	-	1	8001132039984

1) Available on demand for project plan ≥ 200 kWp. Delivery time must be checked with fischer salesman.

ACCESSORIES



Hex head screw **SKS A2**



Nut **MU A2**



Washer **U A2**

Item	Art.-No.	Thread M	Length l [mm]	Hexagon socket ○SW	Washer (external diameter x thickness) [mm]	Sales unit [pcs]	GTIN (EAN code)
SKS M 10 x 30 mm A2	557086	M 10	30	17	-	100	8001132570869
SKS M 16 x 35 mm A2	531377	M 16	35	24	-	25	8001132043141
MU M 10 A2	530543	M 10	-	17	-	100	4048962000962
MU M 16 A2	557321	M 16	-	24	-	50	8001132573211
U M 10 A2	535533	-	-	-	20 x 2,0	100	8001132053669
U M 16 A2	071516	-	-	-	30 x 3,0	50	8001132715161