

## The universal adjustable clamp for all photovoltaic modules with thickness in range 30÷52 mm



Detail: use as middle clamp



Detail: clamps position

6

Clamps

### VERSIONS

- clamp in aluminium alloy EN AB 46100 according to EN 755-2:2013
- hexagon socket cylindrical head screw TCEI in stainless steel A2-70 according to EN ISO 3506-1/2:2009

### ADVANTAGES

- Full range: the universal pre-assembled clamp PM U can fasten all PV modules with thickness in range 30÷52 mm.
- All-round: the universal pre-assembled clamp PM U can be used both as a middle and final clamp.
- Fast: through the smart channel nut the universal pre-assembled clamp PM U can be hooked and quickly blocked in any point of the profile.
- Solid: the recessed screw avoids shadow problems on next modules.
- Easy: through its spring the universal pre-assembled clamp PM U stays up during the fastening operation.
- Complete: the universal pre-assembled clamp PM U does not need any further accessory (e.g. screws, washers, nuts).

### APPLICATIONS

#### Suitable for:

- Pitched roof System
- Flat surface System
- Industrial roof System
- Corrugated roof System
- Special application System
- Powerskin System

#### To fasten PV modules on the profiles:

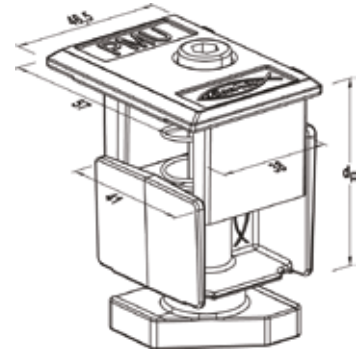
- Solar-light
- Solar-fish
- Solar-mid
- Solar-flat
- Solar 40/30

#### Anti-theft bronze ball can be used

### FUNCTIONING

- Put the smart channel nut of the universal pre-assembled clamp PM U into the profile upper channel.
- Rotate the universal pre-assembled clamp PM U clockwise to use it as final clamp, counterclockwise to use it as middle clamp.
- Fasten the PV module tightening the hexagon socket cylindrical head screw TCEI, applying the right installation torque (10 Nm).
- (Optional) To protect the installation put the anti-theft bronze ball DAE into the screw hexagon socket.

## TECHNICAL DATA



Universal pre-assembled clamp **PM U**

Universal pre-assembled clamp **PM U BL**

Item	Art.-No.	Weight W [g]	PV Module thickness d <sub>p</sub> [mm]	Thread M	Screw length l [mm]	Installation torque T <sub>inst</sub> [Nm]	Sales unit [pcs]	GTIN (EAN code)
<b>PM U</b>	<b>519784</b>	120	30 ÷ 52	M 8	40	10	10	8001132028766
<b>PM U BL</b>	<b>534352</b>	120	30 ÷ 52	M 8	40	10	10	8001132049181

## ACCESSORIES



Anti-theft bronze ball **DAE**

Item	Art.-No.	Diameter ∅ [mm]	Sales unit [pcs]	GTIN (EAN code)
<b>DAE</b>	<b>071587</b>	6	100	8001132715871