

**The universal adjustable middle clamp for all photovoltaic modules with thickness in range 30÷52 mm**



Pitched roof installation



Detail: installation on Solar-fish profile

**VERSIONS**

- clamp in aluminium alloy EN AB 46100 according to EN 755-2:2013
- hexagon socket cylindrical head screw TCEI in stainless steel A2-70 according to EN ISO 3506-1/2:2009

**ADVANTAGES**

- Full range: the universal pre-assembled middle clamp PM CU can fasten all PV modules with thickness in range 30÷52 mm.
- Fast: through the smart channel nut the universal pre-assembled clamp PM U can be hooked and quick blocked in any point of the profile.
- Solid: the recessed screw avoids shadow problems on next modules.
- Easy: through its spring the universal pre-assembled clamp PM U stays up during the fastening operation.
- Complete: the universal pre-assembled clamp PM U does not need any further accessory (e.g. screws, washers, nuts).

**APPLICATIONS**

**Suitable for:**

- Pitched roof System
- Flat surface System
- Industrial roof System
- Corrugated roof System
- Special application System
- Powerskin System

**To fasten PV modules on the profiles:**

- Solar-light
- Solar-fish
- Solar-mid
- Solar-flat
- Solar 40/30

**Anti-theft bronze ball can be used**

**FUNCTIONING**

- Put the smart channel nut of the universal pre-assembled clamp PM U into the profile upper channel.
- Rotate the universal pre-assembled middle clamp PM CU clockwise for 90°.
- Fasten the PV module tightening the hexagon socket cylindrical head screw TCEI, applying the right installation torque (10 Nm).
- (Optional) To protect the installation put the anti-theft bronze DAE ball into the screw hexagon socket.

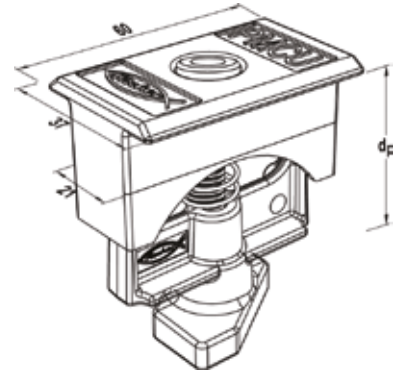
## DATI TECNICI



Universal pre-assembled middle clamp  
**PMC U**



Universal pre-assembled middle clamp  
**PMC U BL**



Item	Art.-No.	Weight W [g]	PV Module thickness $d_p$ [mm]	Thread M	Screw length l [mm]	Installation torque $T_{inst}$ [Nm]	Sales unit [pz]	GTIN (EAN code)
<b>PMC U</b>	<b>538880</b>	110	30 ÷ 52	M 8	40	10	10	8001132059913
<b>PMC U BL</b>	<b>538881</b>	110	30 ÷ 52	M 8	40	10	10	8001132059920

## ACCESSORIES



Anti-theft bronze ball **DAE**

Item	Art.-No.	Diameter $\emptyset$ [mm]	Sales unit [pcs]	GTIN (EAN code)
<b>DAE</b>	<b>071587</b>	6	100	8001132715871