

## Angular brackets for connection between profile Solar and stud screw and for cross connection between profiles Solar



Pitched roof with waterproof layer



Detail: Joint bracket MW SU

### VERSIONS

- stainless steel X5CrNi 18-10 (A2) according to EN 10088-2:2014

### ADVANTAGES

- Fast and adjustable: quick installation through the lower hole and quick adjustment through lateral slotted hole.
- Safe fixing: lateral slotted hole has the anti-slip knurling.

### APPLICATIONS

#### Suitable for:

- Corrugated roof System
- Special application System

#### For the connection with:

- Profile Solar-light
- Profile Solar-fish
- Profile Solar-mid

#### Direct fixing of joint bracket to base support in:

- Wood with Power-Fast wood screws
- Concrete with vinyl ester injection mortar FIS V and threaded rod FIS A
- Hollow concrete slab with vinyl ester injection mortar FIS V, threaded rod FIS A and injection anchor sleeve FIS HK.
- For cross connection between profiles.

### FUNCTIONING

#### Stud screws STSR or STSI connection:

- Put the joint bracket MW between the stud screw STSR/STSI 2 nuts and tighten.
- Connect profile Solar to the joint bracket MW through the slotted hole using screw SKS M 8 and flanged hex nut MU F M 8.
- Use the stud screw STSR/STSI 2 nuts for adjusting joint bracket MW position.

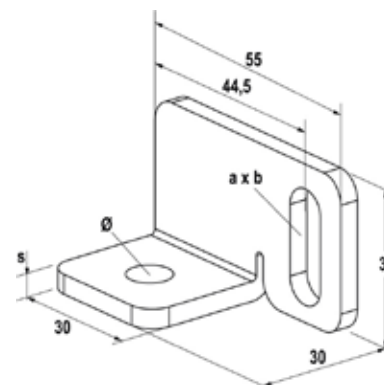
#### Cross connection:

- Connect the joint bracket MW to the lower profile Solar through channel nut FCN AL M 8 and screw SKS M 8.
- Fasten upper profile Solar to the joint bracket MW through the slotted hole using screws SKS M 8 and flanged hex nuts MU F M 8.

### TECHNICAL DATA



Angular bracket MW SU A2

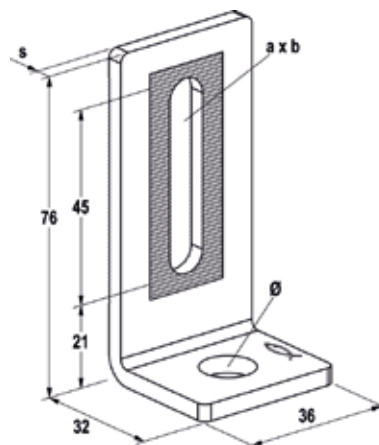


Item	Art.-No.	Weight W [kg]	Thickness s [mm]	Hole diameter Ø [mm]	Dimension a x b [mm]	Fits	Sales unit [pcs]	GTIN (EAN code)
MW SU A2	522676	0,065	4	12,5	9 x 23,5	STSR, STSI	10	8001132031810

## TECHNICAL DATA



Angular bracket **MW SA A2**



Item	Art.-No.	Weight W [kg]	Thickness s [mm]	Hole diameter Ø [mm]	Dimension a x b [mm]	Fits	Sales unit [pcs]	GTIN (EAN code)
<b>MW SA A2</b>	<b>518952</b>	0,120	4	12,5	9 x 45	STSR, STSI	10	8001132027608

## ACCESSORIES



Hex head screw **SKS A2**



Hammer head screw **RHS A2**



Flanged hex nut **MU F A2**

Item	Art.-No.	Thread M	Screw length l [mm]	hexagon nut Ø SW	Sales unit [pcs]	GTIN (EAN code)
<b>SKS M 8 x 20 mm A2</b>	<b>505614</b>	M 8	20	13	100	4006209651797
<b>SKS M 8 x 50 mm A2</b>	<b>571208</b>	M 8	50	13	100	8001132712085
<b>SKS M 10 x 30 mm A2</b>	<b>557086</b>	M 10	30	17	100	8001132570869
<b>SKS M 10 x 50 mm A2</b>	<b>071181</b>	M 10	50	17	100	8001132711811
<b>SKS M 10 x 70 mm A2</b>	<b>071182</b>	M 10	70	17	100	8001132711828
<b>RHS M 8 x 20 mm A2</b>	<b>071207</b>	M 8	20	13	50	8001132712078
<b>MU F M 8 A2</b>	<b>571210</b>	M 8	-	13	100	8001132712108
<b>MU F M 10 A2</b>	<b>071952</b>	M 10	-	17	100	8001132719527
<b>MU F M 12 A2</b>	<b>071749</b>	M 12	-	19	100	8001132717493

## ACCESSORIES



Channel nut **FCN AL**

Item	Art.-No.	Weight W [g]	Thread M	Sales unit [pcs]	GTIN (EAN code)
<b>FCN AL M8</b>	<b>571165</b>	10	M 8	50	8001132711651