

The adjustable hook for flat tiles roofs



Pitched roof with tiles



Detail: fixing of profile Solar on hook GTL

VERSIONS

- hook in stainless steel X5CrNi 18-10 according to EN 10088-2:2005
- bolts and nuts in stainless steel A2-70 according to EN ISO 3506-1/2:2010

ADVANTAGES

- Complete: the pre-assembled hook is supplied with XC bracket, bolts and nuts for profile connection.
- Fast: quick installation of Solar profiles through the tightening of only one screw.
- Safe fixing: the adjustable connection is equipped anti-slip knurlings.
- Flexible: the hook fits all kind of tiles thanks to vertical adjustment.
- Adaptive: the holes $\varnothing 10,5$ mm allow hook's fastening on the load-bearing structure of substrate.

APPLICATIONS

- Useful for:**
Pitched roof System with:
- Profile Solar-fish

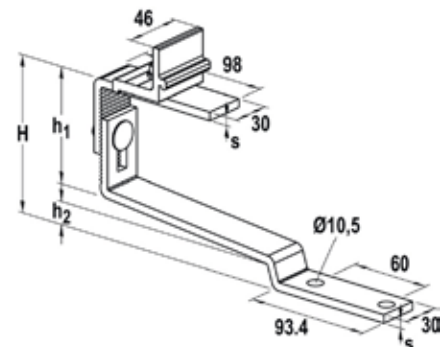
FUNCTIONING

- Hooks spacing has to be evaluated depending on snow and wind loads for installation area, according National Regulations.
- Adjust hooks position depending on load-bearing structure and on layout PV installation.
- Move tile and fasten hook with the proper anchor depending on building material of substrate.
- Tighten up the screws of adjustable brackets before installing the profiles.

TECHNICAL DATA



Universal tile hook GTL



Item	Art.-No.	Weight W [kg]	Thick- ness s [mm]	Total height H [mm]	Above tile height h ₁ [mm]	Under tile height h ₂ [mm]	Recommend. compression load F _⊥ [kN]	Width across nut ○ SW	Instal- lation torque T _{inst} [Nm]	Sales unit [pcs]	GTIN (EAN code)
GTL A2	531129	0,60	6	90 - 111	61 - 82	16,5	1,20	13	10	10	8001132040881