

The adjustable hook for roofs covering in arabic tiles



Pitched roof with arabic tiles



Detail: Hook GC

VERSIONS

- hook in stainless steel X5CrNi 18-10 according EN 10088-2:2005
- bolts and nuts in stainless steel A2-70 according EN ISO 3506-1/2:2010

APPROVALS



ADVANTAGES

- Complete: the pre-assembled hook is supplied with bolts and nuts for profile connection.
- Safe fixing: the adjustable connection is equipped with anti-slip knurlings.
- Flexible: the hook fits all kind of tile thanks to vertical adjustment.
- Adaptive: the holes \varnothing 9 mm of enlarged base plate allow hook's fastening on the load-bearing structure of substrate.

APPLICATIONS

- Suitable for:**
Pitched roof system, roof coverings in Arabic tiles, with:
- Profile Solar-light

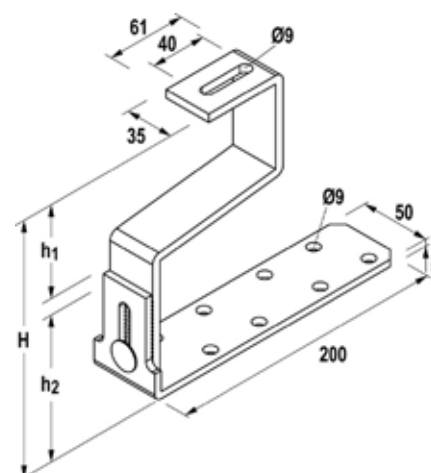
FUNCTIONING

- Hooks spacing has to be evaluated depending on snow and wind loads for installation area, according National Regulations.
- Adjust hooks position depending on load-bearing structure and on layout PV installation.
- Move arabic tile and fasten hook's plate base with the proper anchor depending on building material of substrate.
- Tighten up the screws of adjustable bracket before installing the profiles.

TECHNICAL DATA



Adjustable hook for Arabic tile **GC A2**



Item	Art.-No.	Peso W [kg]	Thick- ness s [mm]	Total height H [mm]	Above tile height h ₁ [mm]	Under tile height h ₂ [mm]	Recomm. compression load F _c [kN]	Width across nut Ø SW	Instal- lation torque T _{inst} [Nm]	Sales unit [pcs]	GTIN (EAN code)
GC A2	571137 ¹⁾	1,00	5	176÷205	73	92÷121	0,80	13	10	10	8001132711378

1) Package content: 10 hooks GC A2, 10 hex head screws SKS M 8 x 20 A2, 10 washers U M 8 x 20 A2, 10 hexagonal nuts MU M 8 A2.